



# modular packaging

## N x M Port Coupler (Rack Mounted Style)

### Description

Renka® SmartCONNECT™ NxM port couplers are low loss branching components, used to split and combine light over a wide bandpass. Standard singlemode fused couplers are concatenated together to achieve the desired split ratio and packaged into either a cassette or rack mountable module. Other non-equal split ratios and custom port configurations are available upon request, with various connector types.

All Renka couplers are designed and tested to Bellcore performance and reliability standards



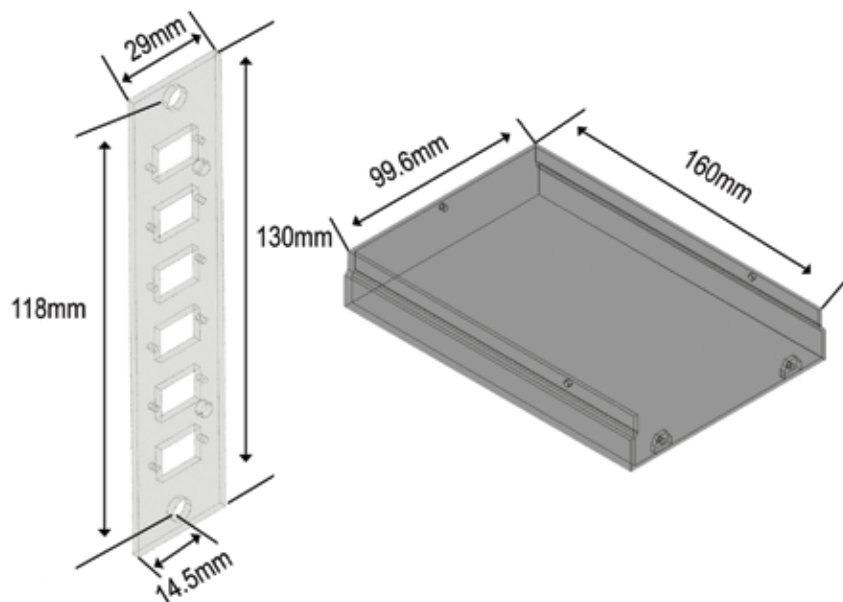
### Applications

- Passive Optical Networks
- CATV Networks
- Test and Measurement Systems

### Benefits

- Low Insertion Loss
- Convenient Packaging
- Superior Reliability

### Package Dimensions



## NXM Port Coupler Specifications (Equal Split Ratios)

NxM	UNIT	Wavelength Flattened		Wavelength Independent	
		1310 or 1550nm ( $\pm 40$ nm)		1310 and 1550nm ( $\pm 40$ nm)	
		Maximum Insertion Loss		Maximum Insertion Loss	
		Premium	Standard	Premium	Standard
1x2 or 2x2	dB	3.4	3.6	3.4	3.6
1x3	dB	5.5	5.9	5.7	6.1
1x4 or 2x4	dB	6.9	7.4	7.2	7.6
1x5	dB	8.0	8.5	8.3	8.8
1x6	dB	8.8	9.4	9.4	9.9
1x8 or 2x8	dB	10.2	11.1	10.8	11.4
Return Loss	dB	$\geq 55$ dB			
Operating Temperature	$^{\circ}$ C	-40 to +75			
Storage Temperature	$^{\circ}$ C	-40 to +85			
Fiber		Corning SMF-28			

## Ordering Information

